

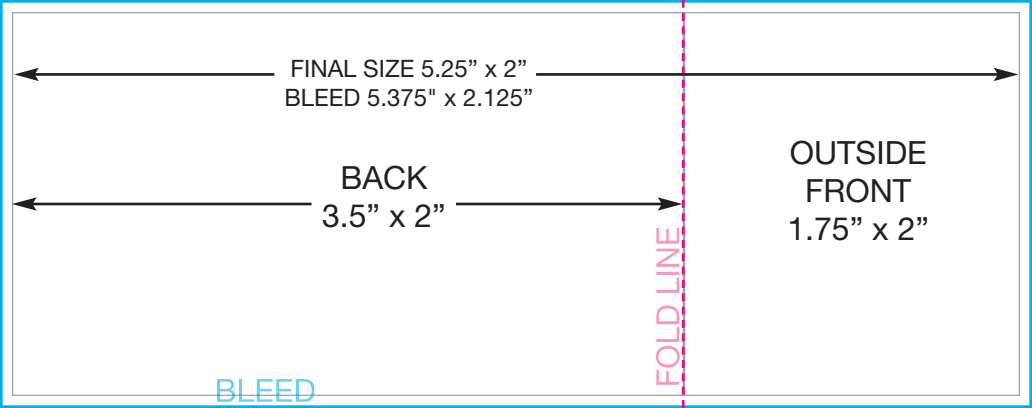
FINAL SIZE 5.25" x 2"
BLEED 5.375" x 2.125"

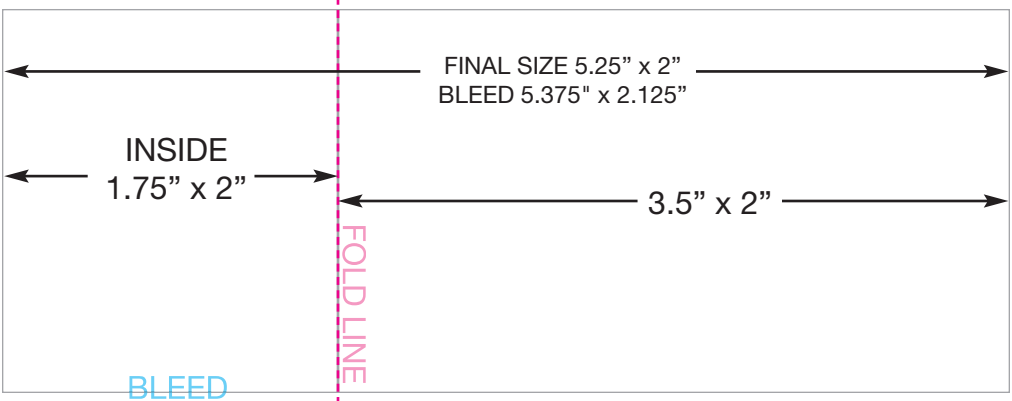
BACK
3.5" x 2"

OUTSIDE
FRONT
1.75" x 2"

FOLD LINE

BLEED





FINAL SIZE 5.25" x 2"
BLEED 5.375" x 2.125"

INSIDE
1.75" x 2"

3.5" x 2"

BLEED

FOLD LINE